

**24 VDC Output Positive Logic, 0.5 Amp - 32 Circuits
IC655MDL556**

This module provides 32 circuits for controlling user output loads. The output switching capacity of this module is 0.5 amps. The top 16 LEDs on the front of the module provide a dual function. They provide a visual indication of the status of each output circuit, with each LED reflecting the ON or OFF state of the corresponding circuit. When commanded through programming, they indicate the starting I/O address for the module. Connections to each circuit are made to the removable terminal block on the front of the module. The output circuits are divided into four groups, with the groups labeled A, B, C, and D on the terminal block. The terminals in each group are labeled 1 to 8. Each group has a common connection, labeled C on the terminal block. The user must supply a 24 VDC source of power for the loads connected to the module. All groups can be powered from a single power source or each group can be powered from a separate source.

Table 20. Specifications for 24 VDC Out, Pos. Logic, 0.5 Amp - 32 Circuits

Output Circuit Type	NPN emitter follower
Number of Circuits	32
Internal Circuit Grouping	Four groups, eight circuits per group.
Operating Voltage	5.0 to 26.4 VDC
Peak Voltage	40.0 VDC
Maximum Operating Current	0.5 amps; 2 amps/common; 8 amps/module
Maximum Leakage Current	0.1 mA at 40 VDC
ON Voltage Drop	1.5 VDC at 0.5 amps; 0.8 VDC at .1 amp
Smallest Recommended Load	0.2 mA at 5 VDC
Maximum Inrush current	1 amp for 100 ms; 2 amps for 10 ms
OFF to ON Response	0.1 ms
ON to OFF Response	1.0 ms
Status Indicator Location	Logic side
Fuses Rating and Type, Internal	3 amps (1 for each group of eight circuits), fast blow.
Internal Power Consumption, (5 VDC)	Total; 600 mA (typ), 800 mA (max) Per On Point; 20 mA

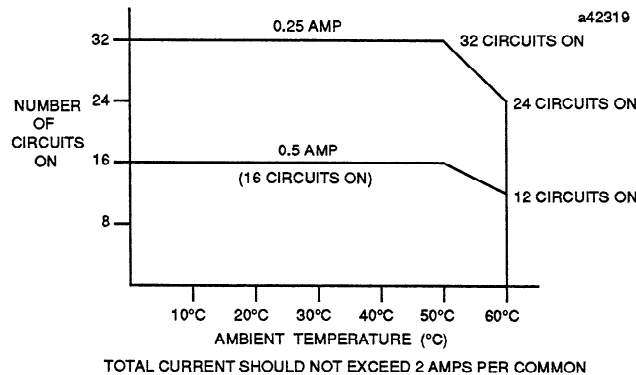


Figure 33. Output Points vs. Temperature for IC655MDL556

Wiring Information - IC655MDL556

The following figure provides the information required for connecting user supplied loads and power source to this module.

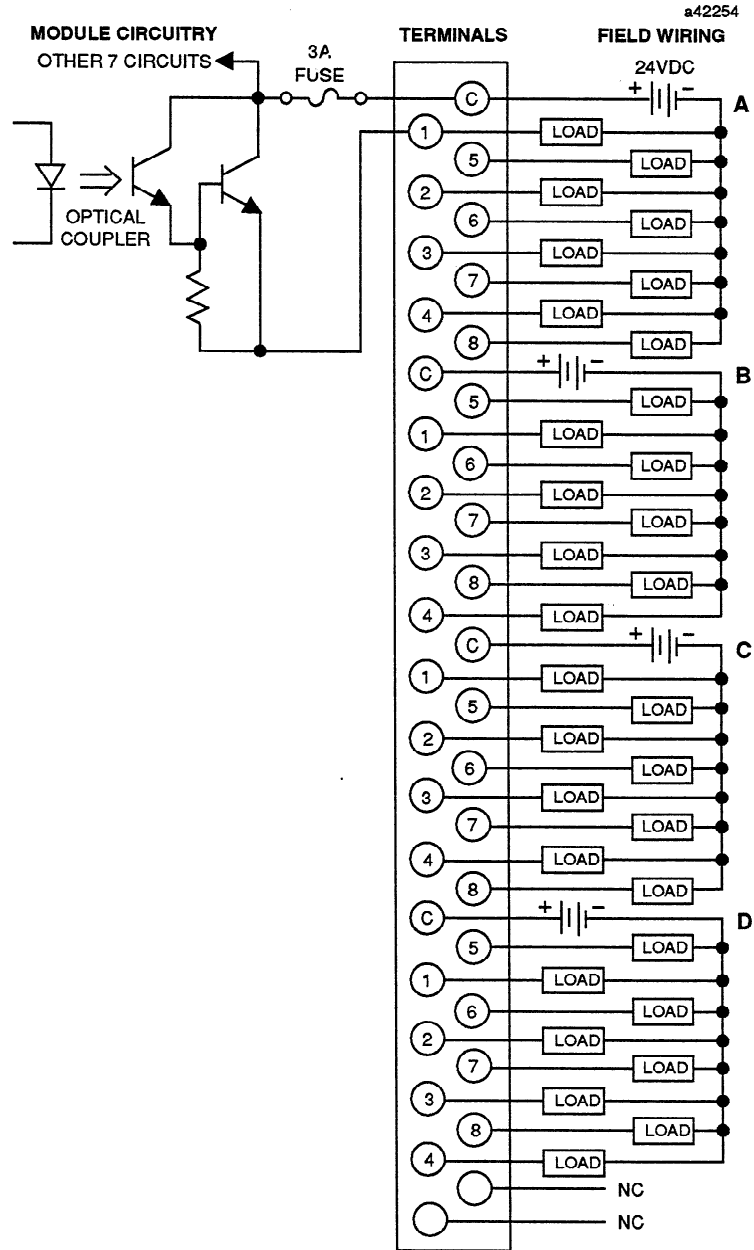


Figure 34. Field Wiring and Typical Circuit for IC655MDL556