

IC693CMM302 Enhanced Genius Communications Module (GCM+)

The *Enhanced Genius Communications Module (GCM+)*, IC693CMM302, is an intelligent module that provides automatic global data communications between a Series 90-30 PLC and up to 31 other devices on a Genius bus.

The GCM+ can be located in any standard Series 90-30 CPU baseplate, expansion baseplate, or remote baseplate. However, for most efficient operation, it is recommended that the module be installed in the CPU baseplate since the sweep impact time of the GCM+ module depends on the model of PLC and the baseplate where it is located. **Note: if a GCM module is present in a system, GCM+ modules cannot be included in the system.**

Multiple GCM+ modules can be installed in a Series 90-30 PLC system with each GCM+ having its own Genius bus serving up to 31 additional devices on the bus. For example, this allows a Series 90-30 PLC with three GCM+ modules to exchange global data with as many as 93 other Genius devices automatically. In addition to basic global data exchange, the GCM+ module can be used for various applications such as:

- Data monitoring by a personal computer or an industrial computer.
- Monitoring data from Genius I/O blocks (although it cannot control Genius I/O blocks).
- Peer-to-peer communications among devices on the bus.
- Master-slave communications among devices on the bus (emulates remote I/O).

The Genius bus connects to the terminal board on front of the GCM+ module.

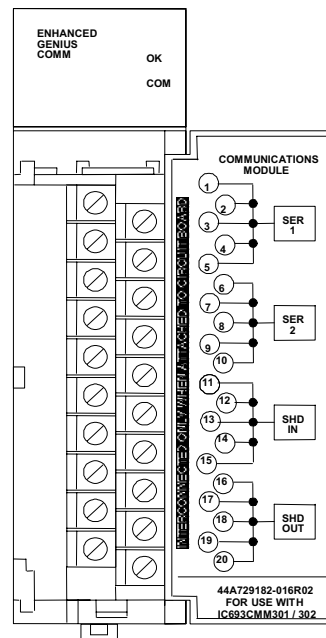


Figure 8-4. Enhanced Genius Communications Module

Status LEDs

The LEDs on the front of the GBC indicate its operating status and should be on during normal operation.

- OK** Shows the status of the GBC module. This LED turns on after power up diagnostics are completed.
- COM** Shows the status of the Genius communications bus. This LED is on steadily when the bus is operating properly. It blinks for intermittent bus errors and is off for a failed bus. It is also off when no configuration has been received from the PLC CPU.

GCM+ Documentation

For more information about the GCM+, refer to GFK-0695, *Series 90-30 Enhanced Genius Communications Module User's Guide*.